

# DUVAL MESSIEN

A know how famous since more than one century

*Lightning technical datasheet*



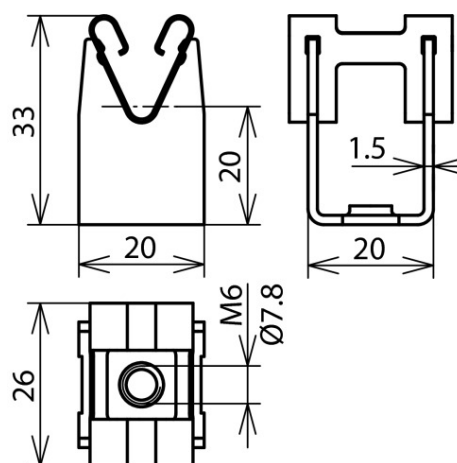
## Stainless steel clip for round conductor

*In compliance with NF EN 62561-4 standard*

Designed for fixing a round conductor with  $\varnothing$  8 mm on steel or aluminum cladding, or steel trays.

Fixed with M6 screw.

Reference :	<b>CLIPINOXRD</b>
Material :	Stainless steel
Dimensions (mm):	H : 33 x L : 26 x l : 20
Weight (kg) :	0,01
Standard :	NF EN 62561-4



Join us on :



Version 2020 - A

Duval Messien Tel:+33 1 60 18 58 70 / Fax :+33 1 60 18 58 71 – Email : [contact@duval-messien.fr](mailto:contact@duval-messien.fr)  
30 rue de la Varenne – 94100 Saint Maur des Fossés – France - Web : [www.duval-messien.fr](http://www.duval-messien.fr)  
Agence Ouest (Nantes) Tel :+33 2 40 54 79 30 - Agence Sud Est (Velaux) Tel :+33 4 42 34 71 00