

DUVAL MESSIEN

A know how famous since more than one century



Technical datasheet

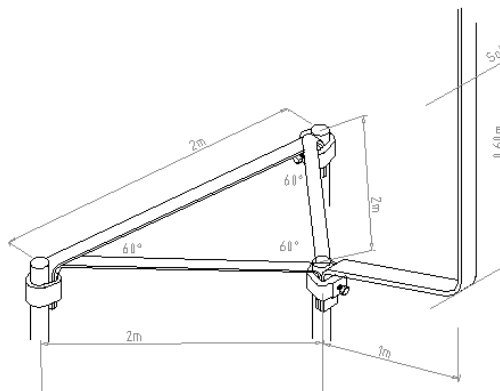
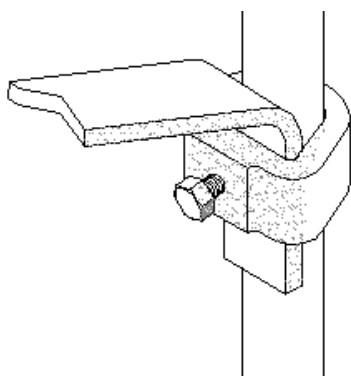
Earth rod to tape clamp

In compliance with NF EN 62561-2 standard

These connectors are designed for installing on the head of the earth rods and re used to connect the tape to the earth rod during an earthing system realization.

Up to 3 conductors type tinned copper tape can be connected with an earth electrode.

Reference :	CONPIQRUB2
Type of installation:	Earthing system
Assembly:	Clamping of the earth conductors with the earth electrode $\varnothing 17,4\text{mm}$
Use:	Lightning earthing system implementation
Conductors:	Tape of section 27x2mm to 33,5x3mm and round conductor $\varnothing 8\text{mm}$
Dimensions:	54 x 42 x 20 mm
Weight:	0,150 kg
Standards:	NF EN 62561-2 - NF EN 62305-3 - NFC 17102



Joins us on :



Version 2020 - A

Duval Messien Tel:+33 1 60 18 58 70 / Fax :+33 1 60 18 58 71 – Email : contact@duval-messien.fr
30 rue de la Varenne – 94100 Saint Maur des Fossés – France - Web : www.duval-messien.fr
Agence Ouest (Nantes) Tél :+33 2 40 54 79 30 - Agence Sud Est (Velaux) Tel :+33 4 42 34 71 00