

# DUVAL MESSIEN

A know how famous since more than one century



Technical datasheet

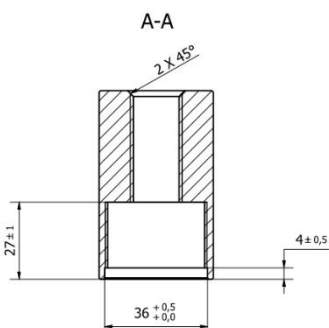
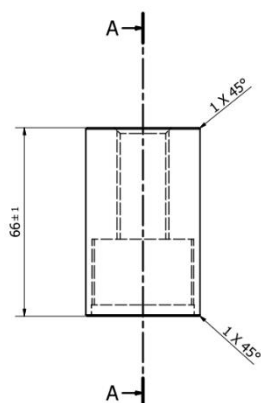
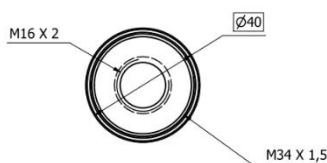
## Clamp for SATELIT+G2

In compliance with NF EN 62561-2 standard

Clamp for SATELIT+G2 or simple rod  $\varnothing$  16 mm / Mast  $\varnothing$  34 mm in stainless steel.

It is threaded on one side to connect to a lightning rod type SATELIT+G2 or a simple rod ( $\varnothing$  1 = 16mm) and on the other side to connect the support mast M34 of the lightning rod.

<b>Reference:</b>	<b>MANG2-16/34</b>
<b>Material:</b>	304L stainless steel
<b>Type of installation:</b>	Satelit+G2 lightning rod
<b>Assembly:</b>	Assembly by screwing on lightning rod and mast $\varnothing$ 34
<b>Use:</b>	Fixing of the lightning rod on mast $\varnothing$ 34
<b>Dimensions:</b>	$\varnothing$ 40 x 66 mm
<b>Weight:</b>	0,420 kg
<b>Standards:</b>	NF EN 62561-2 - NF EN 62305-3 - NFC 17-102



Join us on :



Version 2020 - A

Duval Messien Tel:+33 1 60 18 58 70 / Fax :+33 1 60 18 58 71 – Email : [contact@duval-messien.fr](mailto:contact@duval-messien.fr)  
30 rue de la Varenne – 94100 Saint Maur des Fossés – France - Web : [www.duval-messien.fr](http://www.duval-messien.fr)  
Agence Ouest (Nantes) Tél :+33 2 40 54 79 30 - Agence Sud Est (Velaux) Tel :+33 4 42 34 71 00