

DUVAL MESSIEN

A know how famous since more than one century
Technical datasheet



PVC cement support stud

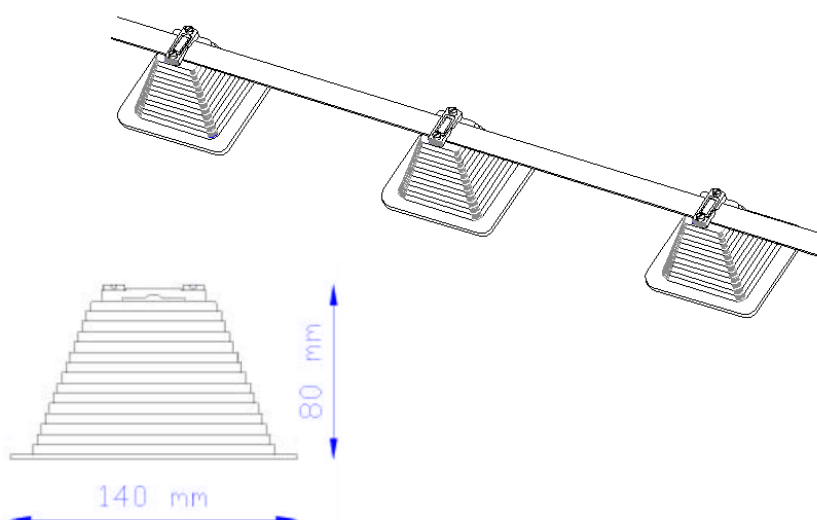
In compliance with NF EN 62305-3 standard

They are designed for fixing a flat or round conductor on all types of horizontal surfaces (on gravelled terrace roofs or steel tank roofs with waterproofing without drilling or gluing).

This solution eases also the maintenance or the replacement of the seals.

Conductors 27x2mm tinned copper tape type, 30x2mm stainless steel, 30x3mm aluminum, 33,5x3mm galvanized steel and round Ø8 and 10mm are kept in pressure at the level of the removable upper part.

Reference:	PLOCIMATTA
Type of installation:	Down conductor
Assembly:	Installation of the studs on the roof without gluing, clamping of the conductors with a fixing and 2 inox screws.
Use:	Fixing of the meshing conductor, horizontal conductors and equipotential bonding
Conductors:	Tape of section 27x2 to 33,5x3 mm and round Ø8 to 10mm
Material:	PCV casing, full of cement
Dimensions (mm):	140 x 140 x 80
Weight (in kg):	1,00
Standards:	NF EN 62305-3 - NFC 17102



Join us on :



Version 2020 - A

Duval Messien Tel:+33 1 60 18 58 70 / Fax :+33 1 60 18 58 71 – Email : contact@duval-messien.fr
30 rue de la Varenne – 94100 Saint Maur des Fossés – France - Web : www.duval-messien.fr
Agence Ouest (Nantes) Tel :+33 2 40 54 79 30 - Agence Sud Est (Velaux) Tel :+33 4 42 34 71 00